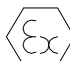


- 5 Joules
- IP Rating 66
- Operating Temperature Range
-20°C to +55°C

Unit Type No. E2xB05EG

Input Voltages: DC Units 12V or 24V or 48V
AC Units 120V or 230V

 II 3G EEx nA nL IIC T2 (Tamb. -20°C to +55°C)
EEx nA nL IIC T3 (Tamb. -20°C to +40°C)

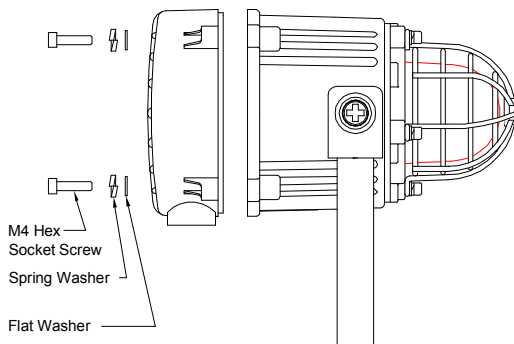
Certificate No. DEMKO 06 ATEX 0421554

Group/Category: II 3G

Zone: Zone 2

INSTALLATION

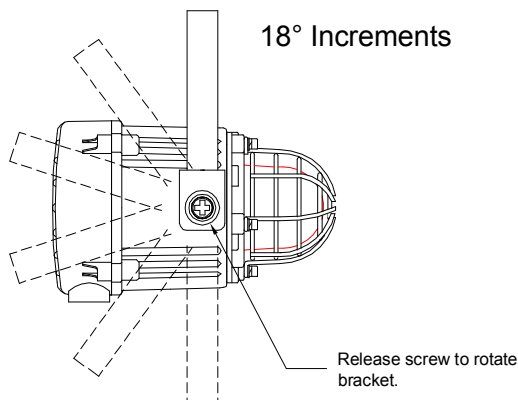
The E2xB05EG beacons must be installed in accordance with the relevant parts of the EN60079 standards or the equivalent IEC standards.



WARNING – DO NOT OPEN WHEN ENERGISED

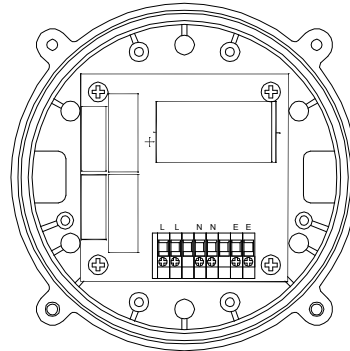
MOUNTING

The E2xB05EG beacon must be mounted using the rotating bracket as shown.

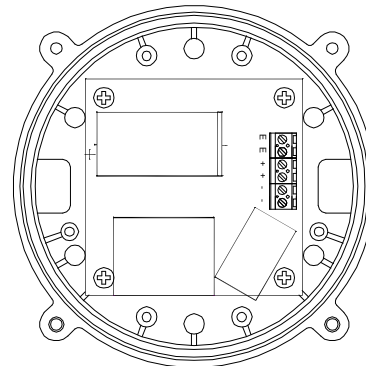


WARNING – TO AVOID A POSSIBLE ELECTROSTATIC CHARGE ONLY CLEAN THE UNIT WITH A DAMP CLOTH

E2xB05EG AC PCB Layout



E2xB05EG DC PCB Layout



WIRING CONNECTIONS

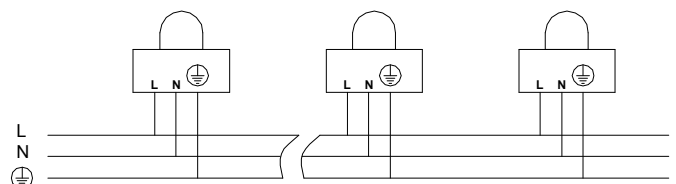
The E2xB05EG beacon has two M20 cable entries one of which is fitted with an M20 blanking plug. This should be removed if two cable entries are required. Cable entry devices shall be used which ensure a minimum ingress protection of IP54.

The cable connections are made to the terminal blocks on the pcb assembly in the enclosure.

WARNING - ALL ELECTRICAL WIRING MUST BE INSTALLED IN ACCORDANCE WITH THE RELEVANT STANDARDS AND ANY LOCAL CODES THAT MAY APPLY

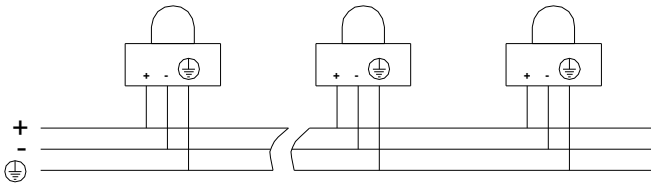
AC BEACONS

Live L
Neutral N
Earth E



DC BEACONS

Positive +
Negative -
Earth E



POWER SUPPLY SELECTION

It is important that a suitable power supply is used to run the beacons. The power supply selected must have the necessary capacity to provide the input current to all of the beacons connected to the system.

Unit Type	Input Voltage	Input Current	Max. I/P Volts
E2xB05EG	12V DC	520mA	15V
E2xB05EG	24V DC	275mA	30V
E2xB05EG	48V DC	145mA	58V
E2xB05EG	230V AC	30mA	253V
E2xB05EG	120V AC	80mA	132V